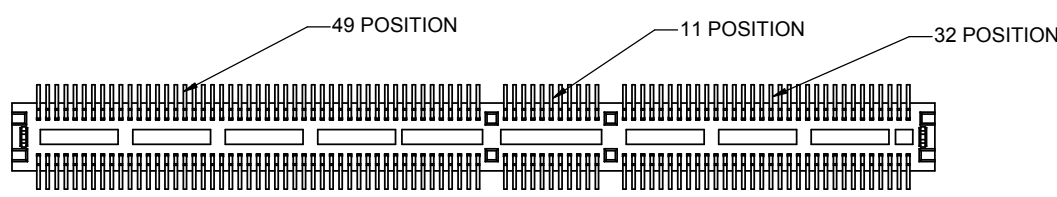
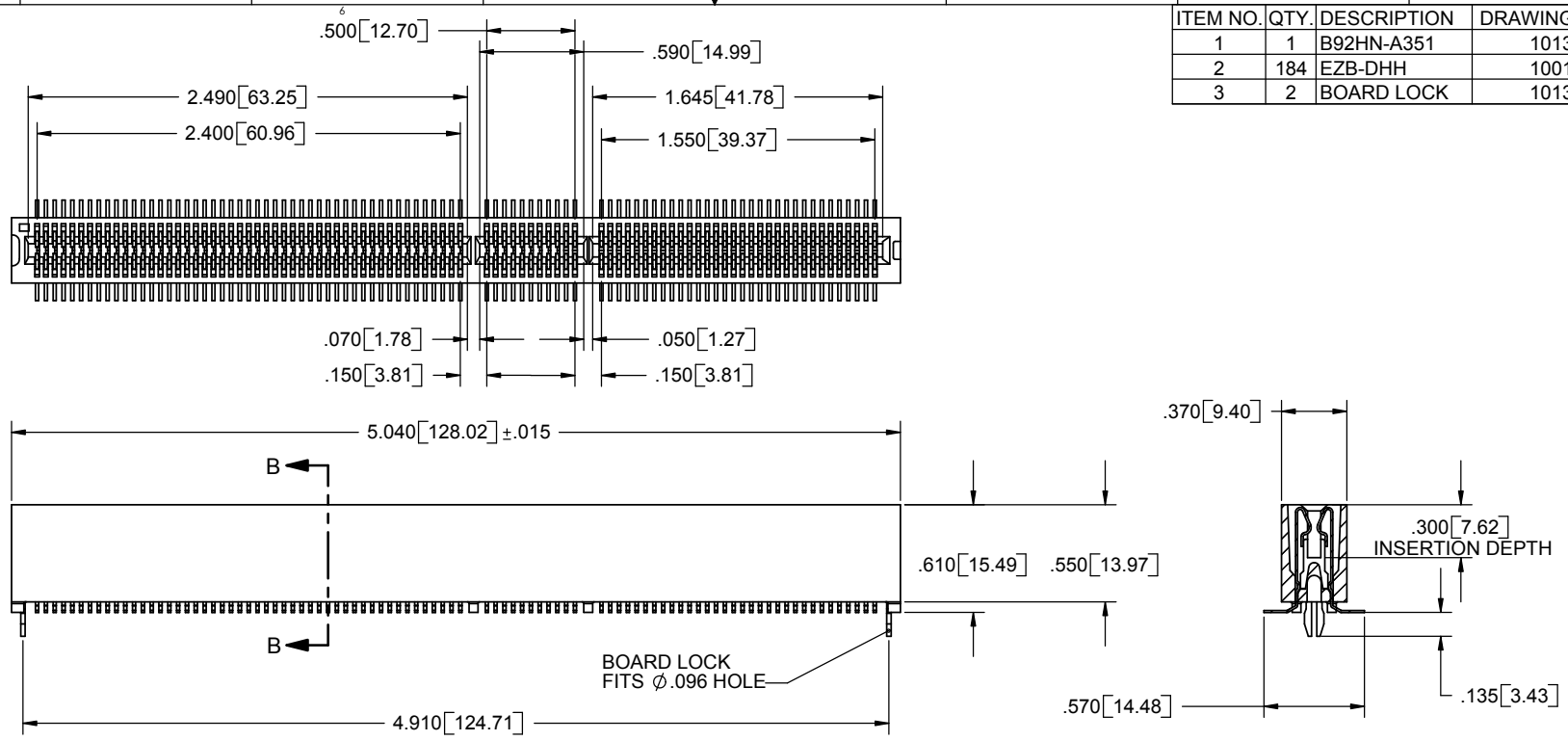


ITEM NO.	QTY.	DESCRIPTION	DRAWING # REF
1	1	B92HN-A351	10132
2	184	EZB-DHH	10011
3	2	BOARD LOCK	10131



NOTES:

- THIS SPECIFICATION COVERS THE REQUIREMENT FOR A DUAL 92/184 ROW EDGECARD CONNECTOR
- INSULATOR MATERIAL: POLYPHENYLENE SULFIDE. (BLACK)
- CONTACT MATERIAL: PHOSPHOR BRONZE.
- PLATING: .00001" GOLD ON CONTACT SURFACE
.0001 INCH TIN/LEAD ON TERMINAL
.00005 INCH NICKEL UNDERPLATE
- TEMPERATURE: -65°C TO 125°C
- UL FLAMMABILITY RATING: 94V-0
- VOLTAGE RATING: 125 VDC MINIMUM AT SEA LEVEL.
- CURRENT RATING: 1 AMP
- VOLTAGE DROP: 30 MILLI VOLT AT RATED CURRENT
- INSULATION RESISTANCE: 1000 MEGA OHM
- CONNECTOR IDENTIFICATION: THE PART SHALL BE MARKED WITH A PART NUMBER AND DATE CODE.
- BOARD THICKNESS ACCOMMODATED: .054/.070[1.3716/1.7780]
- BOARD INSERTION FORCE: 6 OUNCE AVERAGE PER CONTACT PAIR USING .062 [1.57]PCB
- BOARD WITHDRAWL FORCE: 1 OUNCE MINIMUM PER CONTACT PAIR USING .062[1.57] PCB
- TOLERANCE: ±.005" UNLESS OTHERWISE NOTED.
- MODIFICATION: PCI 64 BIT, 5 VOLT. 92 POSITION CONNECTOR WITHOUT GUIDE POST.

COMPUTER GENERATED DOCUMENT DO NOT CHANGE MANUALLY

PROPRIETARY AND CONFIDENTIAL
THIS DRAWING AND DESIGN IS THE PROPERTY OF SULLINS ELECTRONICS. IT MAY NOT BE USED FOR ANY PURPOSE OTHER THAN BY THE OWNER. SULLINS ELECTRONICS DOES NOT AUTHORIZE THE REPRODUCTION OR CONVEYANCE OF ANY INFORMATION CONTAINED HEREIN.

A	120	ORIGINAL RELEASE	1/13/04	AN	AJT
REV.	ECO NO.	DESCRIPTION	DATE	BY	APP'VD
		UNLESS OTHERWISE SPECIFIED: DIMENSIONS ARE IN INCHES TOLERANCES: FRACTIONAL: 1/32 ANGULAR: ±1° TWO PLACE DECIMAL ±.02 THREE PLACE DECIMAL ±.005 FOUR PLACE DECIMAL ±.0005	DRAWN 1/13/04	NAME ARIA	SULLINS ELECTRONICS PART NO./DESCRIPTION: RZB92DHFR-S250
		INTERPRET GEOMETRIC TOLERANCING PER: MATERIAL: NOTED FINISH: N/A	CHECKED 1/13/04	AJT	
NEXT ASSY	USED ON	APPLICATION	DO NOT SCALE DRAWING		SIZE DWG. NO. C 10130
				SCALE: 2:1	REV A
				SHEET 1 OF 1	